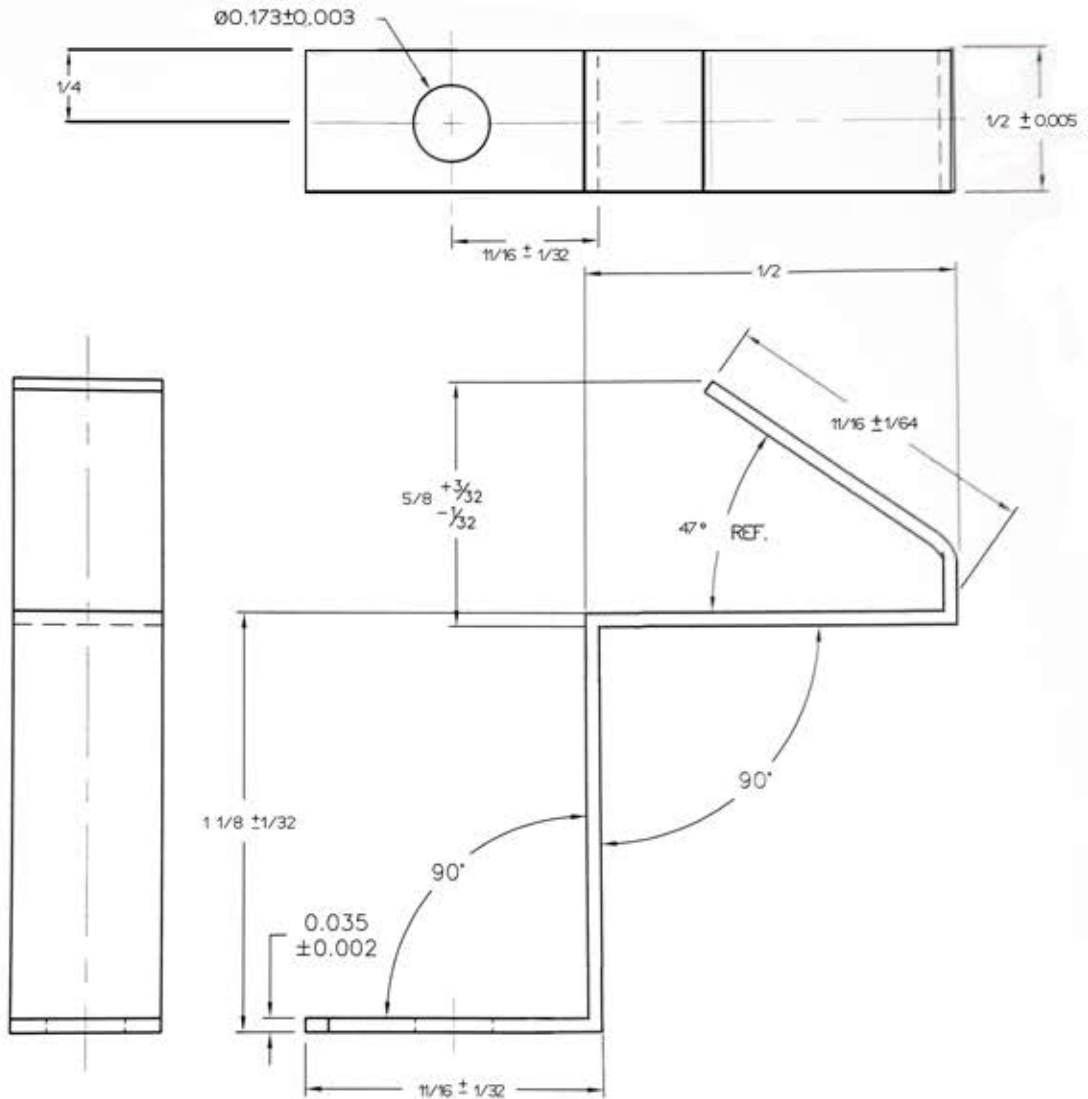


RENFREW ELECTRIC  
RESISTOR CLIPS

| DESCRIPTION |  |  | DRAWN | DATE    | CHECKED | DATE    | APPRVD | DATE     |
|-------------|--|--|-------|---------|---------|---------|--------|----------|
| RELEASED    |  |  |       |         |         |         |        |          |
|             |  |  | JW    | 7-14-69 | SP      | 7-15-69 | JC     | 10-18-96 |

**RoHS  
Compliant**



**SPECIFICATIONS:**

- Bracket fits inside cores of 175/250W Wirewound type resistors and remain in place by spring tension.
- Mounting Screw size (Maz.) #10 Screw
- Copper based material

TOLERANCES:  
UNLESS OTHERWISE  
SPECIFIED,  
Angles  $\pm 0.5^\circ$   
.XX  $\pm 0.010$   
.XXX  $\pm 0.005$   
Fractions  $1/64$

175W/225W/250W

**RoHS Compliant Mounting Bracket for Wirewound Resistors**

|            |                       |                               |          |
|------------|-----------------------|-------------------------------|----------|
| SIZE<br>A  | DWG. NO<br><b>Z-3</b> | DIGITAL FILE<br>40-7113-00-75 | REV<br>A |
| SCALE: NTS |                       | U.O.M.: INCHES                |          |

ALL RIGHTS RESERVED. DISCLAIMER: ALL STATEMENTS AND TECHNICAL INFORMATION CONTAINED HEREIN ARE BASED UPON INFORMATION AND/OR TESTS WE BELIEVE TO BE ACCURATE AND RELIABLE. SINCE CONDITIONS OF USE ARE BEYOND OUR CONTROL, THE USER SHALL DETERMINE THE SUITABILITY OF THE PRODUCT FOR THE INTENDED USE AND ASSUME ALL RISK AND LIABILITY WHATSOEVER IN CONNECTION THEREWITH.